

# ROTAPULS

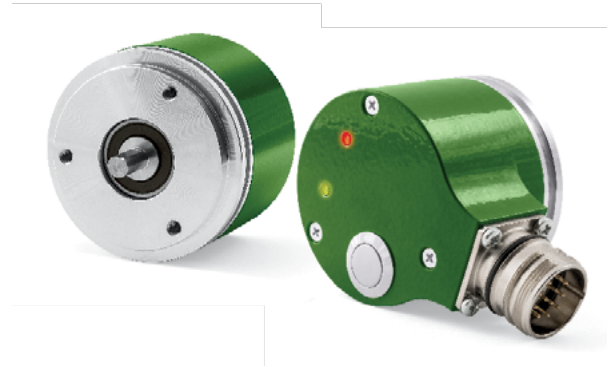
Programmable incremental encoder

Series

IP58 • IP58S • CKP58



- Programmable incremental encoder
- Resolution from 1 to 65536 PPR
- Freely programmable index (push-button)
- Counting direction cw, ccw
- Push-Pull + Line Driver compatible output
- Selectable output voltage 5Vdc or 10-30Vdc
- Programmable via USB cable



IP58

## ENVIRONMENTAL SPECIFICATIONS

Shock:	100 g, 6 ms
Vibrations:	10 g, 5-2000 Hz
Protection:	IP65
Operating temperature range:	-25°C +85°C (-13°F +185°F)
Storage temperature range:	-25°C +85°C (-13°F +185°F) (98% R.H. without condensation)
Option:	• Operating temperature range: -40°C +100°C (-40°F +212°F)

## MECHANICAL SPECIFICATIONS

Dimensions:	see drawing
Shaft diameter:	Ø 6, 8, 9.52, 10, 12 mm
Hollow shaft diameter:	Ø 14, 15 mm
Reducing sleeves BR1-xx from Ø 15 to:	Ø 6, 8, 9.52, 10, 11, 12 mm
Shaft loading (axial, radial):	100 N max.
Shaft rotational speed:	typ. 6000 rpm / 12000 temporary
Starting torque at 20°C:	IP58: 0,15 Ncm / IP58S, CKP58: 0,4 Ncm (typical)
Bearings life:	400 x 10 <sup>6</sup> rev. min. (10 <sup>9</sup> rev. min. with 20 N shaft loading max.)
Electrical connections:	M12, M23 plug or cable output 1 m (3.3 ft)
Weight:	~ 200 g (7 oz)
Option:	• additional cable

## ELECTRICAL SPECIFICATIONS

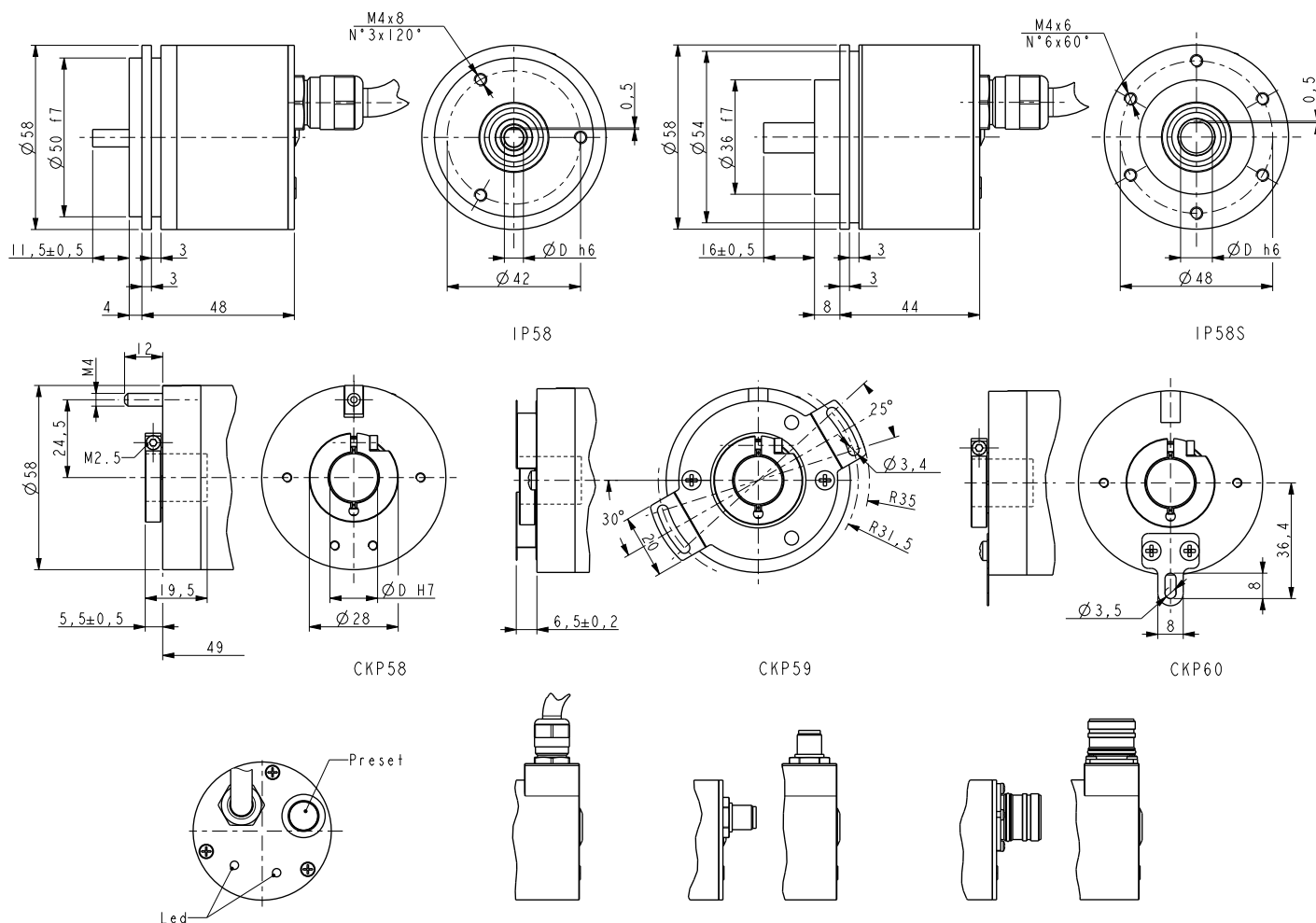
Resolution (PPR):	programmable from 1 to 65536
Counting frequency:	800 kHz max.
Output circuits:	Universal output (PP+LD compatible) 24/5V output programmable
Power supply:	+5V +30V
Consumption:	400 mW (typical)
Output current (each channel):	40 mA max.
Protection:	against inversion of polarity and short cut
EMC:	electro-magnetic immunity, EN 61000-4-2 EN 61000-4-4
Optoelectronic life:	100.000 hrs min.

## MATERIALS

Flange:	anticorrosive, UNI EN AW-6082
Housing:	anticorrosive, UNI EN AW-6082
Bearings:	ABEC 5
Shaft:	stainless steel, non-magnetic - UNI EN 4305
Light source:	GaAl diodes

## ACCESSORIES

EPFL 121:	12 pin M23 mating connector
E-M12F12:	12 pin M12 mating connector
BR1-xx:	reducing sleeves
PAN/PGF:	flexible couplings
KIT IP58:	USB programming kit



Order code

IP58	-	X	-	XXXX	XXX	X	XX	X	XX	/Sxxx
IP58S		(a)		(b)	(c)	(d)	(e)	(f)	(g)	(h)
CKP58										

(a) OUTPUT CIRCUITS

H = PP/LD universal circuit

(b) RESOLUTION (PPR)

PROG = programmable

(c) OUTPUT SIGNALS / CONNECTIONS

ZCU = ABO /ABO, cable output

ZCZ = ABO /ABO, M23 12 pin plug

ZCM = ABO /ABO, M12 12 pin plug

(d) SUPPLY VOLTAGE

4 = +5V ÷ +30V

(e) SHAFT DIAMETER

6 = 6 mm

8 = 8 mm

P9 = 9.52 mm - 3/8"

10 = 10 mm

12 = 12 mm

14 = 14 mm (only CKP58)

15 = 15 mm (only CKP58)

(f) CONNECTION POSITION

- = axial

R = radial

(g) CABLE LENGTH

- = cable output 1 m (standard)

L2 = cable output 2 m

Lx = cable output x m

(h) CUSTOM VERSION